



Power Direct Vent Residential Gas Water Heaters

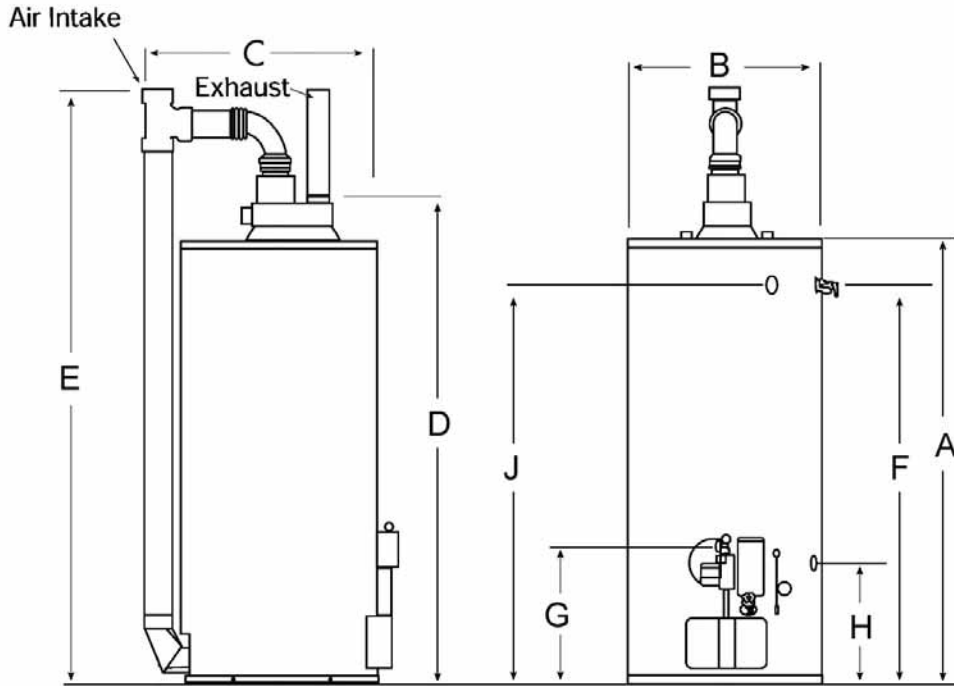
Power Direct Vent / Sealed Combustion

Standard Features

- **Power Direct Venting System** - This 2-pipe closed combustion system utilizes a stand alone vent to exhaust the byproducts of combustion, and a separate air intake to provide fresh combustion air to the unit. Vents up to 25 feet to an outside wall, using 3" PVC, CPVC or ABS pipe. Vents up to 60 feet to an outside wall, using 4" PVC, CPVC or ABS pipe.
- **Fast Heat Up and Recovery** - High firing inputs provide high recovery and first-hour delivery rates.
- **Hot Surface Ignition** - Eliminates nuisance pilot outages and saves fuel by eliminating the continuously burning pilot while providing reliable solid state ignition.
- **Low NOx Burner** - This whisper quiet, 360° burner incorporates aluminized steel into its die-formed design. The large burner diameter transfers more heat, while providing clean and efficient combustion. Satisfies local codes and emission standards.
- **Non-CFC Foam Insulation** - Improved formulation provides uniform tank coverage with a thick blanket of insulating foam. This non-CFC polyurethane closed cell foam minimizes standby losses and maximizes heat retention.
- **Glass-Lined Steel Tank** - The durable glass lining assures lasting protection against rust and corrosion while providing clean, clear hot water. This tank is automatically formed, rolled, and welded to assure a continuous seam for the glass lining. Each tank is triple-tested to ensure quality.
- **Adjustable Thermostat** - This accurate control provides an easy way to reset water temperature for best economy. Automatic over-heat safety device is standard.
- **Dielectric Nipples** - Factory installed waterways protect the tank from corrosive action between dissimilar metals, while providing piping convenience.
- **Side Tappings**- Provided for space heating applications.
- **Six Foot Power Cord** - Included for installation ease.
- **Temperature & Pressure Relief Valve**
- **Brass Drain Valve**
- **Warranty** - Six or ten year limited tank warranty. Six year warranty on parts. (See warranty for details)



Dimensions and Specifications



Model Number	Natural Gas			LP Gas			A	B	C	D	E	F	G	H	J	Vent Size	Ship. Wt.
	Gallon Capacity	Btu/hr Input	GPH @ 90°F Rise	Btu/hr Input	GPH @ 90°F Rise												
PRN050*	48	60,000	65	60,000	65	58"	22"	30-1/2"	65"	79"	52-1/4"	17-3/4"	15-3/4"	52-1/4"	3"	212	
PRN065	65	65,000	70	60,000	65	61-1/4"	22"	31-1/2"	68-1/4"	82"	56"	17-3/4"	15-3/4"	56"	3"	246	
PRN075*	75	70,000	75	70,000	75	60-3/4"	26"	34-1/2"	67-3/4"	82"	54-1/4"	20-1/4"	19"	54-1/4"	3"	301	

Notes: "P" prefix indicates 6 year tank warranty. Replace "P" with "S" for 10 year tank warranty.
 All LP heaters are equipped with a cast iron burner. Replace "N" with "L" to indicate LP gas model.
 * indicates R16 models with 2" of polyurethane foam insulation.
 All gas connections are 1/2".
 All water connections are 3/4" NPT on 11" centers.

110 VAC, 60 HZ, 2.1 AMP is required for power venting.
 Maximum Horizontal & Vertical Vent Length is 25 feet (40 equivalent feet, with 3 - 90° elbows), when using 3" pipe.
 Maximum Horizontal & Vertical Vent Length is 60 feet (75 equivalent feet, with 3 - 90° elbows), when using 4" pipe.

FOR EASE IN ORDERING BY MODEL NUMBER

P	R	N	050
POWER DIRECT VENT	RESIDENTIAL	NAT. GAS	GALLON CAPACITY

This heater is a 60,000 Btu/hr Power Direct Vent natural gas water heater with a 50 gallon storage capacity

Certified for Potable Water and Space Heating Applications

This water heater is suitable for water heating and space heating. Toxic chemicals, such as those used for boiler water treatment shall NEVER be introduced into this system. This water heater may NEVER be connected to any existing heating system or components previously used with non-potable water heating appliances.

All models available with either a Six Year Limited Warranty or a Ten Year Limited Warranty Against Tank Failure. All parts are warranted for six years. Three year limited warranty on all models when installed in a commercial application.



Lochinvar[®]
High Efficiency Water Heaters, Boilers and Pool Heaters



Lochinvar Corporation • 300 Maddox Simpson Pkwy • Lebanon, TN 37090 • 615-889-8900 / Fax: 615-547-1000

www.Lochinvar.com