



Efficiency Mate Indirect Domestic Water Heaters

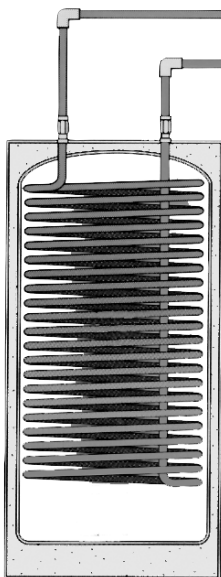
Domestic Hot Water Generated Using Hydronic Boiler Heat

What could be better than heating a home with an extremely efficient Lochinvar boiler?

How about heating domestic water with an extremely efficient Lochinvar water heater that uses hydronic heating water from the extremely efficient Lochinvar boiler used to heat the home! The Efficiency Mate from Lochinvar. A smart way to use a hydronic heating boiler to provide domestic hot water.

The Efficiency Mate is an indirect-fired, potable water storage vessel. It accepts heat from an external heat source, such as a Lochinvar Efficiency+ boiler. By sharing heat for two purposes, efficiency results.

How It Works

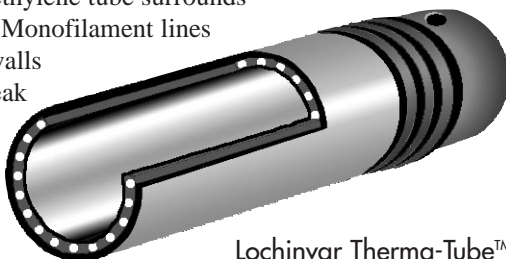


Space heating fluid is heated as it passes through an external heating source. That fluid then passes through the Efficiency Mate's internal Therma-Tube heat exchanger, a double wall, highly conductive tube that is immersed in the storage vessel. As it passes through the heat exchanger, heat is shared between the space heating fluid and the domestic water in the storage vessel. The result: Two supplies of hot water from one efficient source.



Anti-Leak

With the Therma-Tube anti-leakage system, heating fluid is separated from domestic water by a double-wall tube using an internal leak path to the exterior, preventing contamination of domestic water. Heating fluid is circulated in a primary metallic inner tube. A secondary, thermally-stabilized, high-density polyethylene tube surrounds the primary tube. Monofilament lines between the two walls provide positive leak path channels to the outside of the Efficiency Mate.

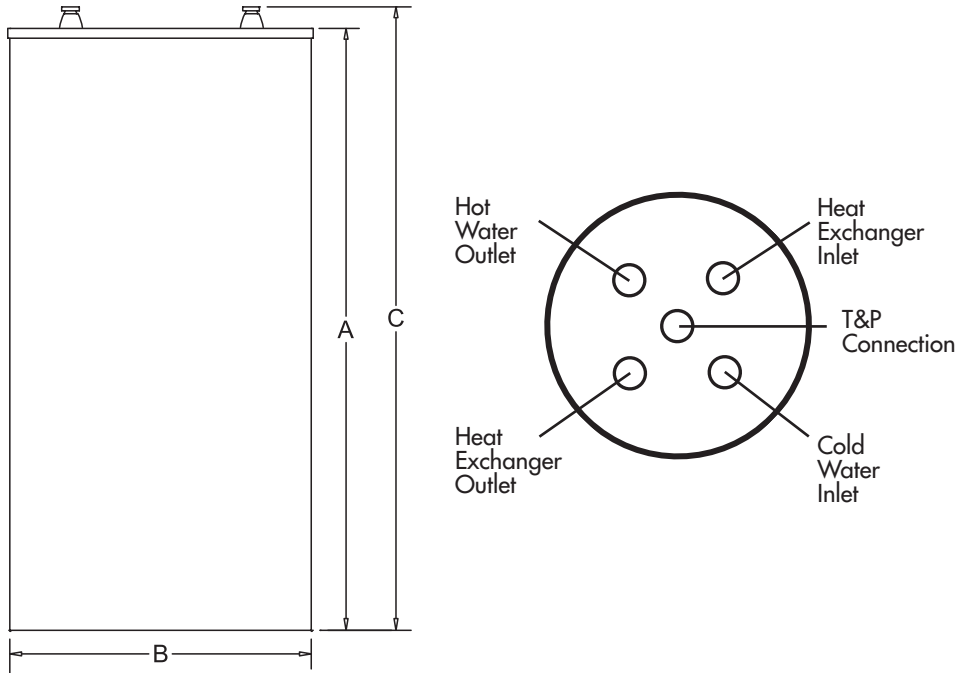


Lochinvar Therma-Tube™

Standard Features

- Non CFC Foam Insulation
- Therma-Tube Anti-Leak Heat Exchanger
- Heavy-Gauge, Glass-Lined Steel Tank
- Magnesium Tank Saver Anode
- Factory Installed Dielectric Nipples
- Brass Drain Valve
- 10 Year Limited Tank Warranty
- 6 Year Limited Warranty on Parts (See Warranty for Details)
- 3 year warranty on tank and heat exchanger when installed in a commercial application (See warranty for details)

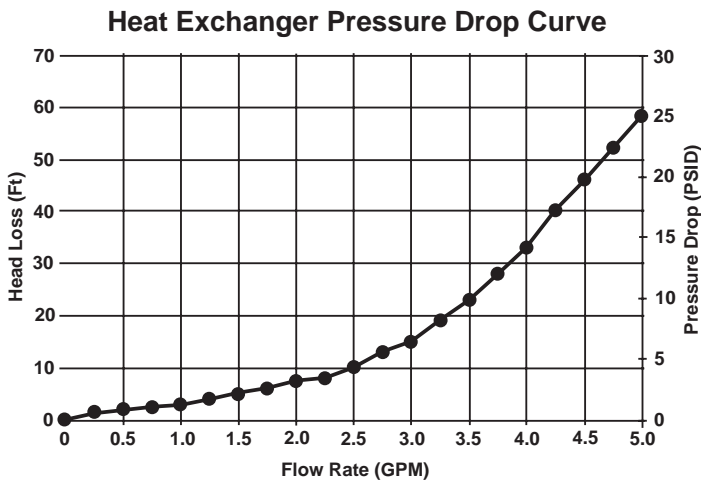
Specifications and Dimensions



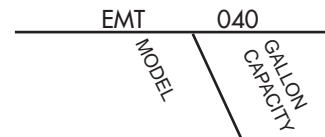
Model	Gal. Cap.	Min. Btu/hr Input	GPH @ 90°F Rise	1st Hour Rating @ 140°F	1st Hour Rating @ 115°F	A	B	C	Shipping Weight
EMT 040	40	70,000	75	104	162	46-3/4"	20"	48"	112
EMT 050	50	70,000	77	115	180	46-1/4"	22"	47-1/4"	139
EMT 065	65	84,000	90	139	217	58-3/4"	22"	60"	165
EMT 080	80	84,000	94	150	234	58-3/4"	24"	59-1/2"	192

Notes: All water connections are 3/4" NPT. All heat exchanger connections are 3/4" NPT. Maximum boiler supply temperature 180°F.

Pressure Drop



FOR EASE IN ORDERING
BY MODEL NUMBER



This heater is a 40 gallon Efficiency Mate indirect water heater with an internal heat exchanger.



Lochinvar Corporation • Maddox Simpson Pkwy • Lebanon, TN 37090 • 615-889-8900 / Fax: 615-547-1000
www.Lochinvar.com